

CRYPTORS 300, 510, 700 and 710

Our network encryption devices are called Cryptors. Cryptors devices from Encryption Technology (ET) are known for their maximized security. By using ET's Enhanced IPsec key management protocol and hardware encryption in specialized chips, the product is future proof.

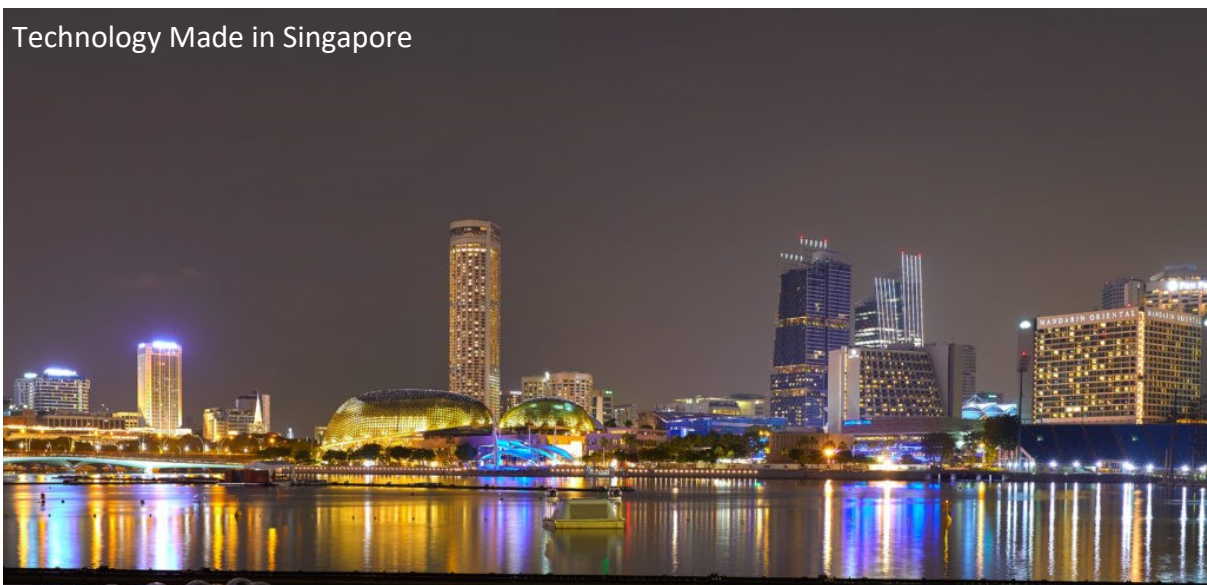
The Cryptors can be used either in Layer-2 or in Layer-3 mode. In Layer-3 mode the Cryptor 300 encapsulates the original IP packet and adds a new IP header to the packet. The original IP header information is hidden. This mode provides the highest security for connections to remote locations and for roaming users. In Layer-2 mode the Cryptor 300 works as a bump-in-the-wire (BITW) concept and can be easily deployed into existing networks. Only the payload is encrypted and the original IP header remains unchanged.

Key Benefits



- User Definable Algorithm (CDA)
- Concurrent operation of 5,000 to 32,000 subnets
- Throughput of 150Mbps to 2 x 950 Mbps full duplex
- Packet latency < 12 μ sec
- Real time encryption without tunnel setup time



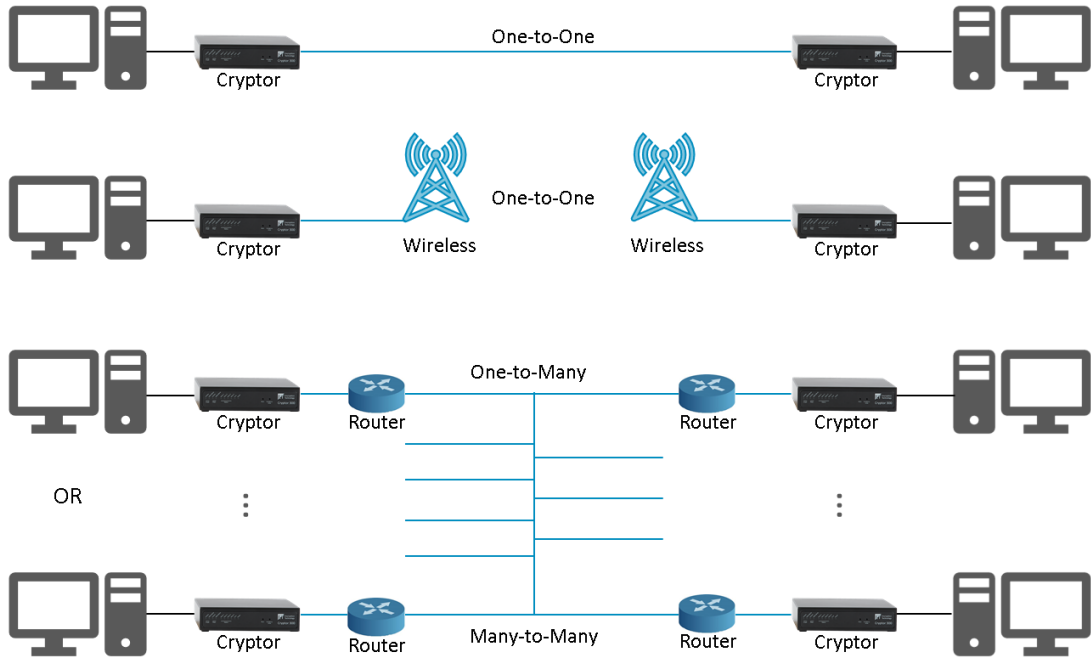
Technology Made in Singapore



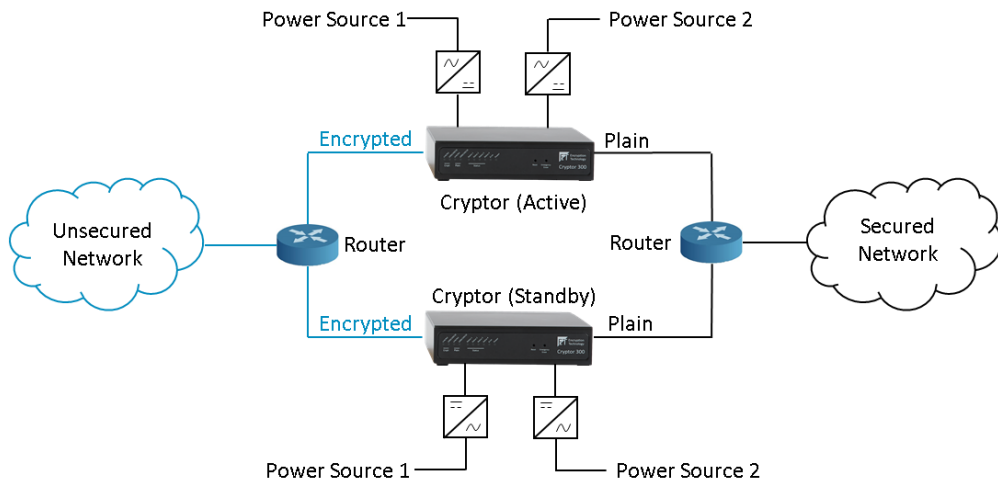
TECHNICAL SPECIFICATIONS

				
Model	CRYPTOR 300	CRYPTOR 510	CRYPTOR 700	CRYPTOR 710
Throughput in Full Duplex Mode	150Mbps	400Mbps	950Mbps	2 x 950Mbps
Number of subnets supported	5000	10,000	32,000	32,000
Cryptography	<ul style="list-style-type: none"> • Common Criteria EAL 4 comply • AES-256 as built-in standard • Supports Non-AES, Customer Definable Algorithm (CDA) • Algorithm Generator based on algorithmic procedure • Algorithm Generator based on evolution algorithm • Encryption / Decryption and session key generation implemented in high speed Field Programmable Gate Array (FPGA) chips • Key generation by hardware at GlobalAdmin Management Station • Field upgradable to double encryption with 2 different algorithms and 2 different keys • Anti-Tampering Device (ATD) to protect the hardware • 16 Substitution-Boxes for encryption and 16 Substitution-Boxes for decryption • Encryption round can be defined from 14 to 29 			
Key Management	<ul style="list-style-type: none"> • On the fly session key calculation • Key change for every packet • Use only long keys with 256 or 512 bit key length • Initial configuration using special USB security token 			
Diagnostics and Self-Test	<ul style="list-style-type: none"> • Automated self-test upon start-up • Cryptor Tool USB for local diagnostic report • Remote monitoring and diagnostic from GlobalAdmin Management program • Built-in packet capture logic, packet generator and ping generator 			
Power Redundancy	Yes			
Power Requirements	12 Vdc @ 600mA		12 Vdc @ 1200mA	
Dimension (W x D x H) mm	145 x 125 x 35		230 x 148 x 46	
Din rail mount adaptor	Available (optional)		Not Available	
Weigh Kilograms	2kg		3kg	
Operating Temperature	0°C to 65°C			
Relative Humidity	0% to 90% non-condensing			

Cryptors Configuration



Redundant Cryptors and Power Source Configuration



CONTACT US:

Encryption Technology Pte Ltd

T: +65 6899 9392 F: +65 6899 9373

Addr: 140 Paya Lebar Road #03-03 AZ Building Singapore 409015

Email: info@encryption-technology.com

Website: www.encryption-technology.com